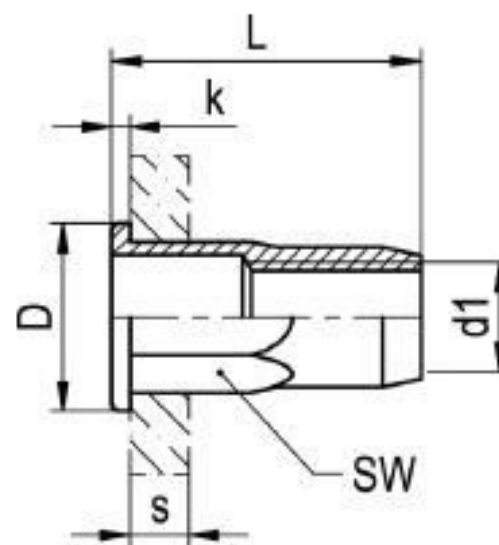


Nýtovací matice

1/2 šestihranná, otevřená s plochou hlavou



Materiál: ocel - nerez (304 Cu)

| d1 | Typ | SW 1 mm +0,1 | s mm | Prac. zdvih nářadí ***) mm | SW mm | D mm | k mm | L Mm | Pevnost v tahu N |
|-----|---------|--------------------|-----------|----------------------------------|----------|---------|---------|---------|------------------------|
| M 4 | TUBTARA | 6,0 | 0,5 – 2,0 | 2,0 – 1,5 | 6,0 | 9,0 | 1,0 | 12,0 | 9.000 |
| M 5 | TUBTARA | 7,0 | 0,5 – 3,0 | 2,7 – 1,5 | 7,0 | 10,0 | 1,0 | 12,5 | 13.750 |
| M 6 | TUBTARA | 9,0 | 0,5 – 3,0 | 3,0 | 9,0 | 12,0 | 1,5 | 16,0 | 18.800 |
| M 8 | TUBTARA | 11,0 | 0,5 – 3,0 | 4,2 – 2,6 | 11,0 | 15,0 | 1,5 | 17,5 | 25.800 |